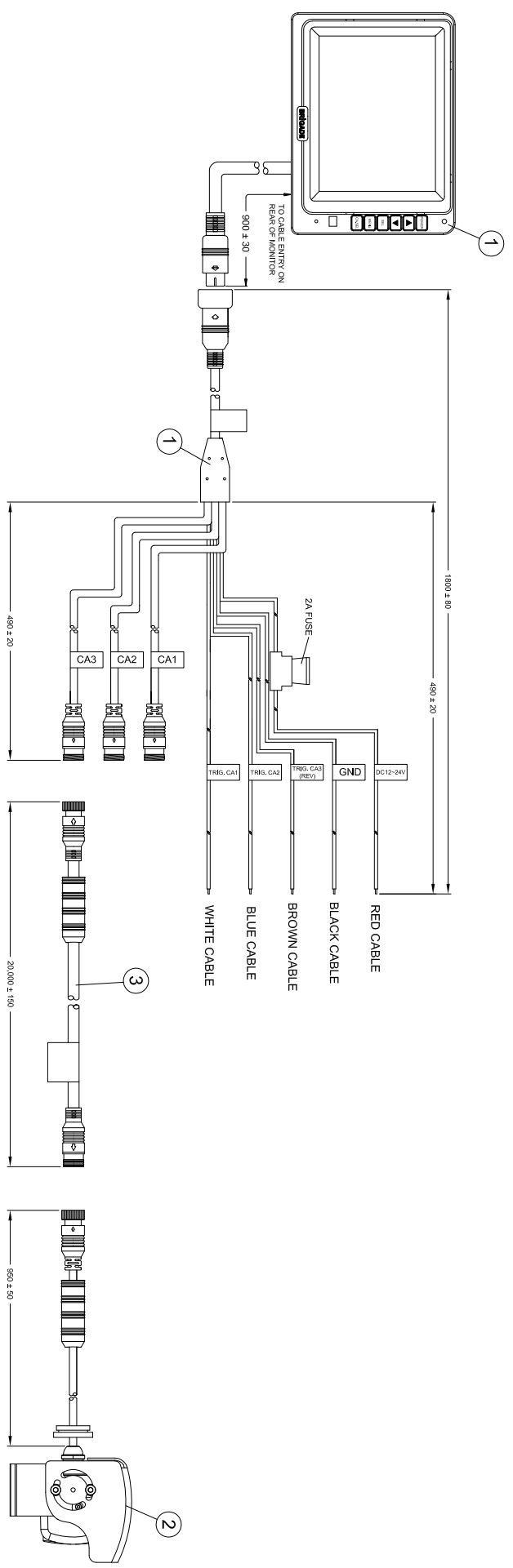


**Revision Notes:**  
 1. DRAWING UPDATED TO REVISE SYSTEM VARIANTS AND PACKAGING.  
 Checked By: **L.B** Approved By: **S.M** Date Released: **19/11/12**

ITEM	PART NO.	VARIANT	QTY	MODEL / DESCRIPTION
①	(3982A)	WGB	1	VBV-750DM-S MONITOR KIT
②	(2941)	WGB	1	VBV-711C CAMERA KIT
③	(3664)	N/A	1	VBV-1520 20M CAMERA CABLE



- NOTES:**
1. REFER TO COMPONENT DRAWINGS FOR COMPONENT DETAIL.
  2. REFER TO COMPONENT PRODUCT SPECIFICATIONS FOR PRODUCT SPECIFICATIONS.
  3. FOR SYSTEM BOX SERIAL NUMBER LABELS REFER TO LATEST REVISION OF DRAWING BE-001323-XX-10.
  4. FOR SYSTEM GIFTBOX LABEL REFER TO LATEST REVISION OF DRAWING BE-001974-XX-12.
  5. PURCHASE ORDER TO DEFINE SYSTEM PACKAGING VARIANT.
  6. REFER TO LATEST REVISION OF DRAWING BE-001954-XX-12 FOR PACKAGING DETAIL.

**PROPRIETARY NOTICE**  
 THIS DESIGN AND TECHNICAL INFORMATION APPEARING ON THIS DRAWING IS THE PROPERTY OF BRIGADE ELECTRONICS, AND IS DISCLOSED IN CONFIDENCE. IT IS NOT TO BE COPIED, REPRODUCED, REVISED TO OR EXPROPRIATED BY OTHERS, EITHER IN WHOLE OR IN PART WITHOUT THE EXPRESS WRITTEN CONSENT OF BRIGADE ELECTRONICS.

**BRIGADE**  
 www.brigade-electronics.com

<b>Assembly PI Approval</b> XINYU HUANG (19/11/12)		<b>Approved by</b> DKERAI		<b>Checked by</b> LBRAR		<b>Drawn by</b> MBUTLER	
<b>Angle of Projection</b> 		<b>Units</b> mm		<b>Scale</b> N/A		<b>Released</b> 23/03/12	
<b>Status</b> RELEASED		<b>Part No.</b> 3710A		<b>Released</b> 23/03/12		<b>Assembly Ref</b> 11010022	
<b>Model / Description</b> VBV-750D-100N		<b>Part No.</b> BE-001977-01-12		<b>Released</b> 23/03/12		<b>Assembly Ref</b> 11010022	